

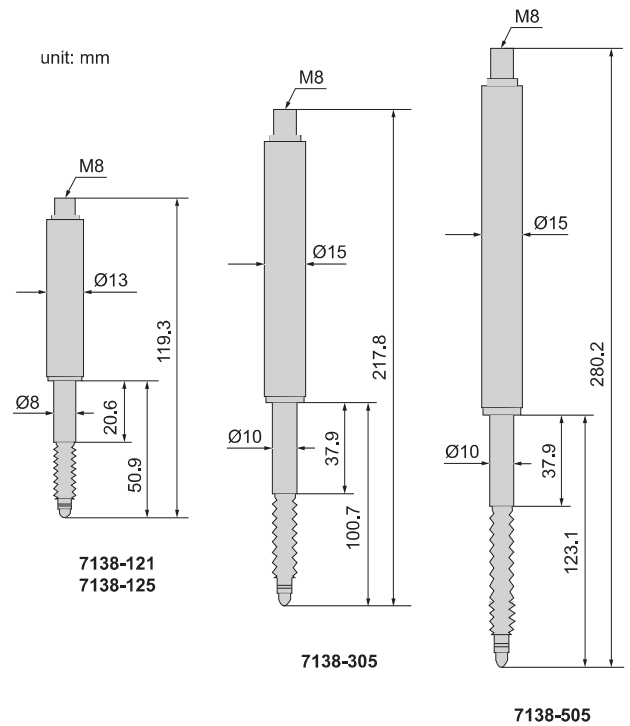
LINEAR GAUGES

IP67
WATERPROOF



7138-121

- Linear gauge type: optical grating
- Dust/waterproof: IP67
- Optional accessory: display unit (code: **7131-1A**, can output keyboard signal, transmit data to excel, word, txt etc., also can output serial signal and transmit data to serial communication software)



SPECIFICATION

Code	7138-121	7138-125	7138-305	7138-505
Range	12mm		30mm	50mm
Resolution	0.1µm	0.5µm	0.5µm	0.5µm
Accuracy	±1µm	±2µm	±3µm	±3.5µm
Power supply	DC 5V, 300mA			
Output signal*	TTL signal			
Operation environment	0~40°C, 20~80%RH (non-condensing)			
Storage environment	-10~60°C, 20~80%RH (non-condensing)			
Dimension	Ø13×120mm		Ø15×218mm	Ø15×281mm
Weight	60g		130g	170g

* Output signal 485 or 232 is optional



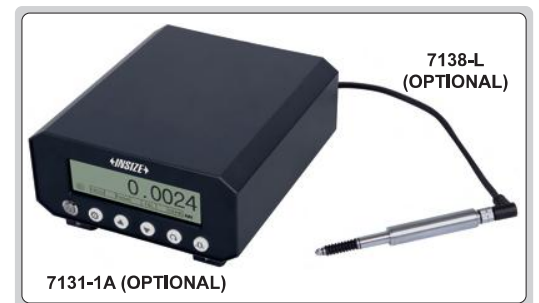
L-connection cable
(OPTIONAL)



Straight connection cable
(OPTIONAL)

OPTIONAL ACCESSORY

Display unit	7131-1A
L-connection cable	7138-L
Straight connection cable	7138-Z



application